

Installation and operating instruction for Luxaflex® Vertical-Blinds



STANDARD FITTING

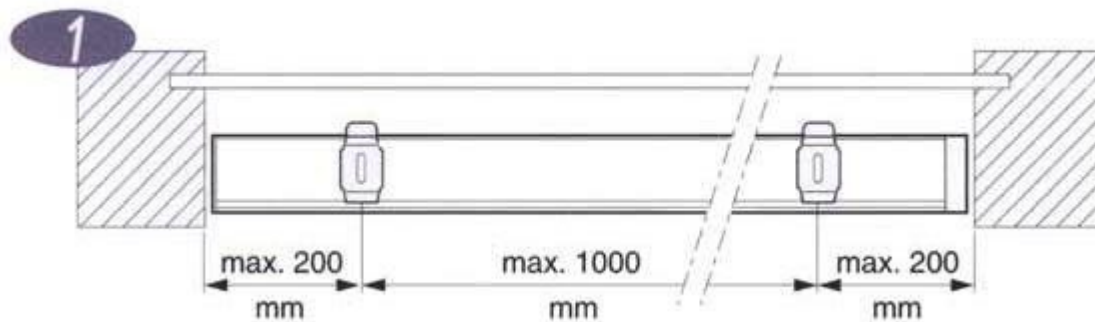
Luxaflex® vertical blinds are supplied with a set of fixing brackets or extension brackets (if specially ordered), link chains and bottom weights (depending on the model).

General information

Please read the following installation and operating instructions carefully. We are unable to accept responsibility for products that have not been installed or operated correctly.

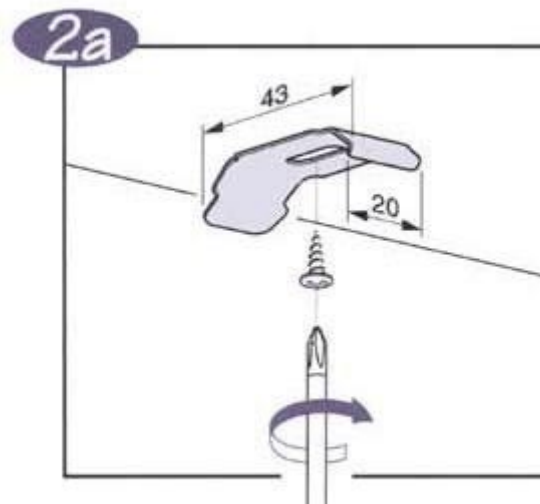
1. Positioning of the brackets

Mark off the position of the brackets, keeping the brackets level across the window. Make sure that the position of the brackets is such that the Luxaflex® vertical blind does not come into contact with protrusions, such as window or door handles, tv sockets etc. (be aware of the maximum dimensions on the drawing).



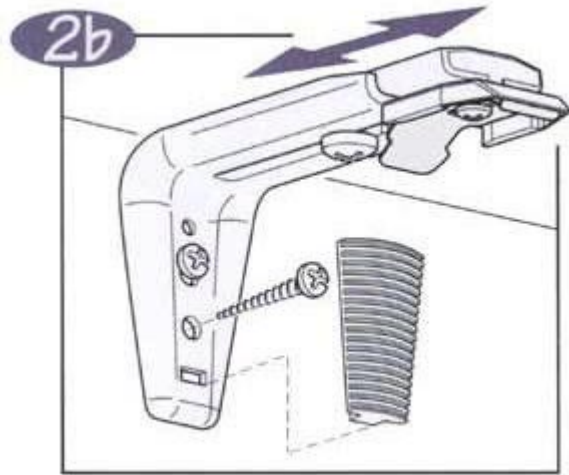
2a. Fix the brackets

The brackets can be mounted flush to the ceiling or, when extension brackets are used, on the window frame.



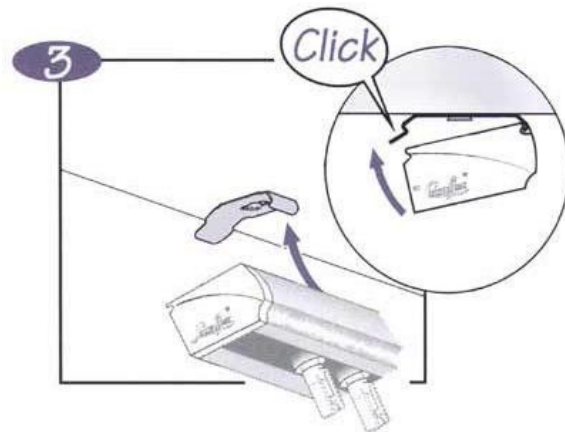
2b. Extension brackets

The extension brackets consist of a wall bracket and a slide to which the mounting clips are attached. Slide the support to the required position and secure it in place.



3. Fixing the headrail

Click the headrail into the brackets by hooking the front in first and then locking it into position by pressing the back of the rail up.



4. Fixing the 'Sloping headrail'

It is important that the sloping headrail is correctly positioned when it is mounted. For example, if the vanes hang too close to the window sill or if the space between the vanes and the frame is too big on one side, this is usually because the P dimension (see drawing) is incorrect. This P dimension gives the distance between the end of the headrail and the side of the window (frame).

Sliding the mounted rail slightly to the left or right will change the P dimension and hence also the distance between the vanes and the floor/window sill.

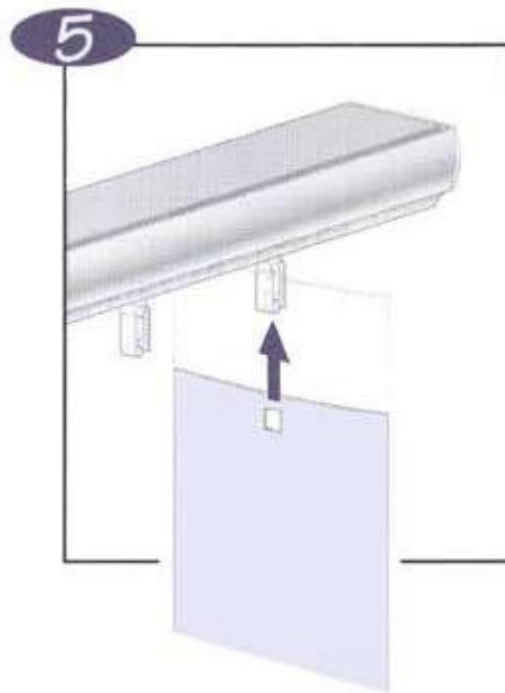


FIXING THE VANES

5. Hang the vanes

Pull the operating chain and turn the vanes until they are at right angles to the headrail. Slide the vanes into the hooks from the bottom one at a time until they click into place.

Caution: In the case of fabric vanes, make sure that the stitched sides of the hems are all on the same side.

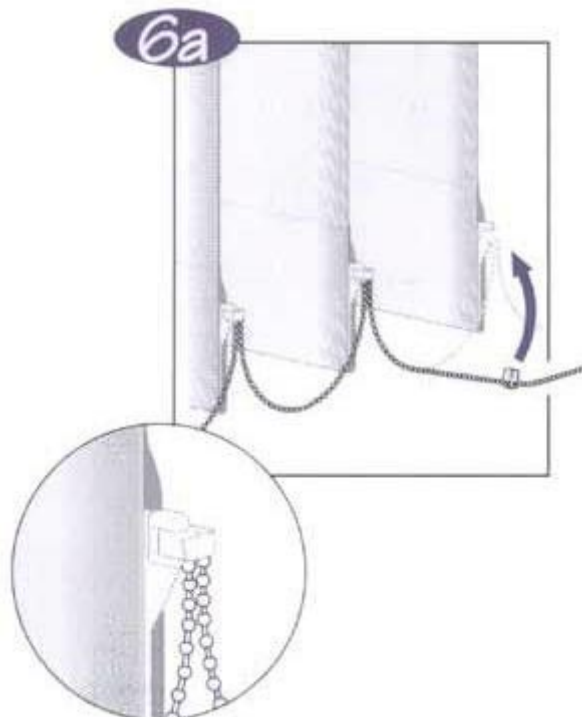


Interconnect the vanes

6a. Fabric

Connect the vanes using the link chains.

(see picture)



OPERATION

Standard operation

7a. Standard Operation

Open and shut the vertical blind using the cord.



7b. The Chain

The chain is used to turn the vanes.

If the vanes are not aligned, this can be rectified by turning the vanes completely. Pull the chain with some force. You will hear a rasping noise. Turn the vanes back to the other side and repeat.



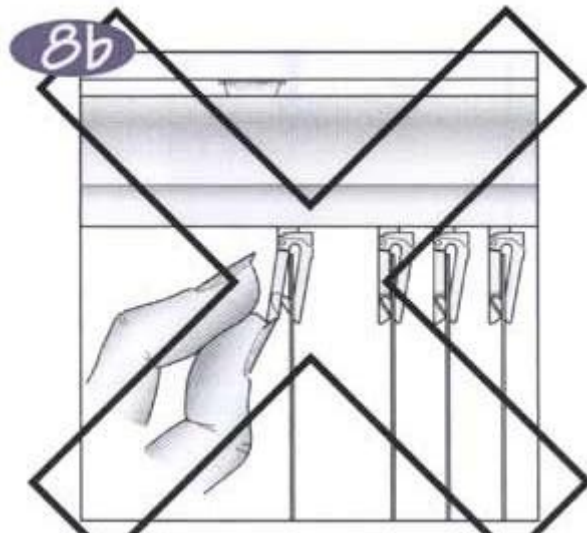
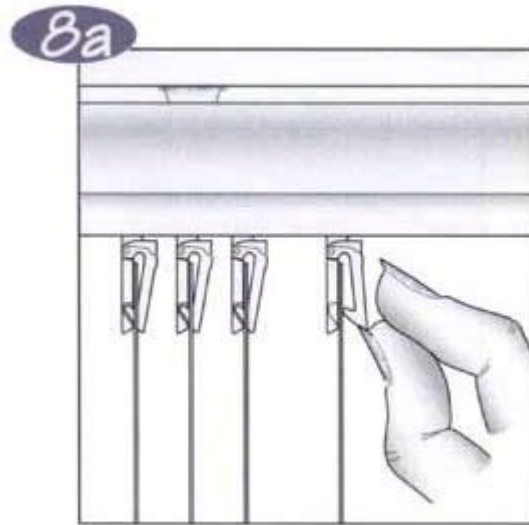
REMOVING THE VANES

8. Removing the vanes

Remove the link chains - if fitted - at the bottom of the vanes.

Remove the vanes from the rail by pressing the lip of the vane hook gently outwards with your thumbnail, as shown on drawing 8a.

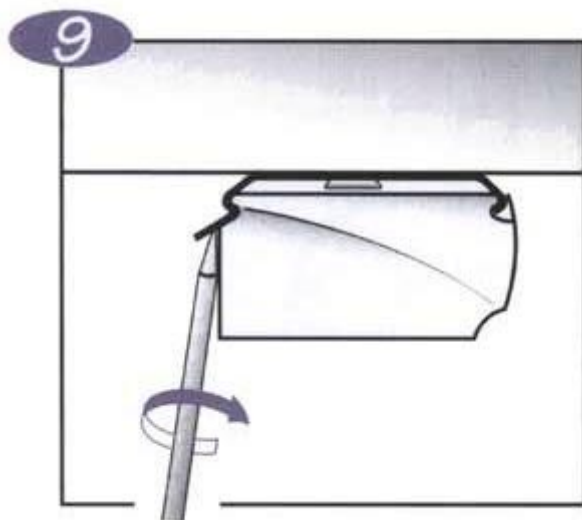
Caution: only use the lip with the hook to do this. Never like this! (see drawing 8b).



9. Remove the rail

Insert a screwdriver between the lip of the fixing clip and the rail. Turn the screwdriver until the rail clicks out.

Caution!
Work from the sides to the centre, so that the centre clip is the last one to be disconnected.



CLEANING

10. Cleaning the windows

It is much easier to clean the windows if the bundle of vanes is away from the area. Click the end stop holding the bundle loose with your thumb (see drawing). Slide the vanes to the other end of the rail.

Finally, pull the operating cord to return the vanes to the end stop. Click the stop back in place with your hand.

Cleaning the vanes

Instructions for cleaning are available by Telephone from your Luxaflex® dealer or via the Luxaflex® Internet site:
www.luxaflex.com

