

## Reminiscent Roller Blinds with Spring Control

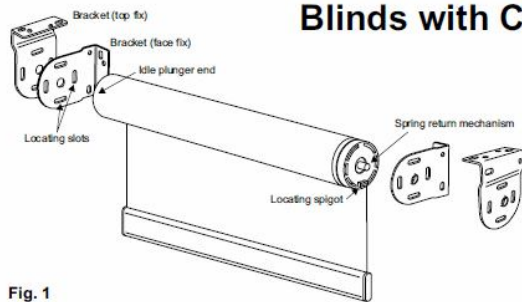


Fig. 1

### Fitting the Brackets

Brackets can be fixed to any surface above or behind the blind. Check that the rolled up fabric will not touch any surface. To calculate the spacing between the brackets add 35mm (1 7/8") to the width of the blind fabric. Fix the brackets so that the outsides of the brackets are this distance apart.

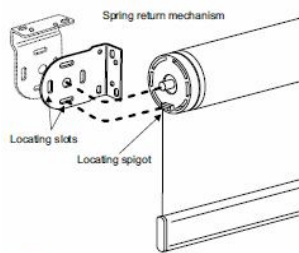


Fig. 2

### Fitting the Blind

Make sure that the blind fabric is completely rolled onto the roller. Place the idle plunger end into the relevant bracket and then push the blind into the bracket, depressing the idle plunger. Now clip the blind spring end into the opposite bracket, making sure that the location spigot is located on the lowest slot in the bracket - **This is very important.**

## Blinds with Centre Pull Cord

### Tensioning the spring

If the fabric does not wind up completely when the blind is operated, greater spring tension can be applied as follows:

- Pull the blind down 250mm (10") from its uppermost position.
- Remove the blind from the brackets and roll the material, by hand, back onto the roller.
- Replace the blind into the brackets.
- In the unlikely event that the tension is still insufficient, repeat steps a) to c)

### Adjusting the level of the bottom of the Blind

If two blinds are fitted side by side and the bottom cannot be positioned at the same level, the level of the bottom bar of either one of the blinds may be altered as follows:

- With the fabric completely wrapped around the roller, carefully remove the blind from the brackets.
- Take the spring return mechanism (see fig.2) and gently pull it 25mm (1") out of the tube, ensuring that the spring does not uncoil.
- Rotate the mechanism to the next position and replace it in the tube.
- Replace the blind in its brackets ensuring that the locating spigot is located in the lowest slot in the brackets. Adjust the level of the bottom of the blind.
- If necessary re-adjust the same blind, always rotating the mechanism in the same direction as before. This step can be carried out up to four times, giving a total of five positions in all.

Where there are more than two blinds together, adjust the level of the second blind to the level of the first blind, the level of the third blind to the second, the fourth to the third etc, until all of the blinds are aligned.

### Important note;

- Your spring roller blind has been pre-tensioned. The safety pin needs to be disengaged to allow for operation.
- If you have lost the tension on the blind before re-tensioning ensure the front pin is in the depressed position and follow the above instructions.

