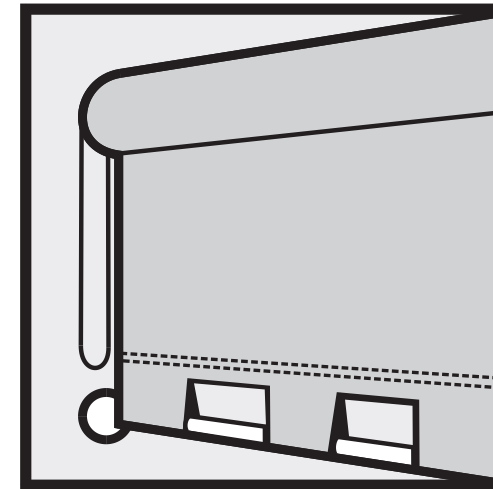


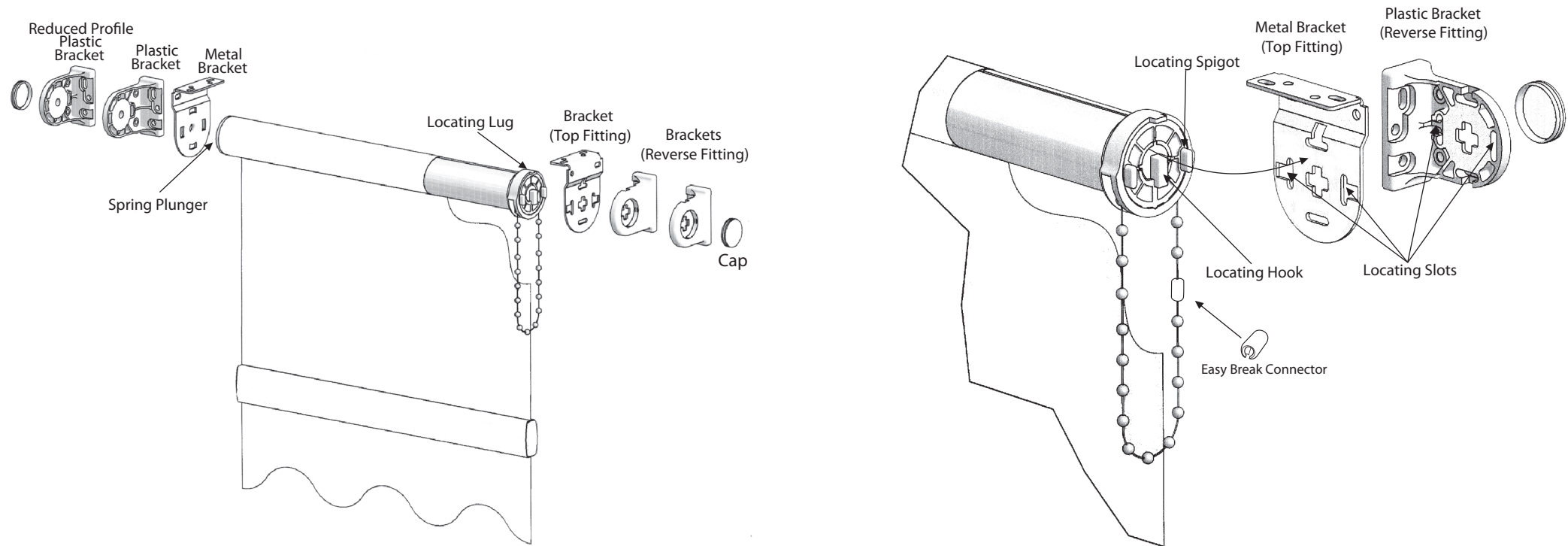
blinds4uk



Side Control Roller Blind Fitting and Operating Instructions

Before attempting to fit your window blind,
please read the instructions carefully

Blinds with Side Control Chain



Fitting the Brackets

The bracket positions illustrated are for a blind with the control chain on the right hand side of the blind. For a blind with the control chain on the left, the brackets should be at the opposite ends.

Brackets can be fixed to any flat surface above or behind the blind. They must be level to ensure the smooth operation of the blind.

Metal brackets are supplied as standard for sidewinder chain control and plastic brackets for spring tension control

5 Simple steps to Fitting your Roller Blind

1. Decide the mounting position of your blind.
2. Mark the position of your brackets before drilling the holes.
3. Hold the blind to the brackets with the fabric hanging from the back (standard roll) of the blind.
4. Fit the spring plunger end of the roller blind into its bracket as displayed in the diagram.
5. Push the blind into this bracket depressing the plunger allowing the locating spigot at the opposite end to lock into position. Allow the hook to drop downwards so that it locks into place in the bracket.

IMPORTANT

In the interests of child safety it is advisable to keep all pull cords and chain-bead cords out of the reach of children. All of the Side Control Blinds are fitted with the Easy Break plastic chain connector. We would also recommend the use of a suitable cord tidy with each window blind